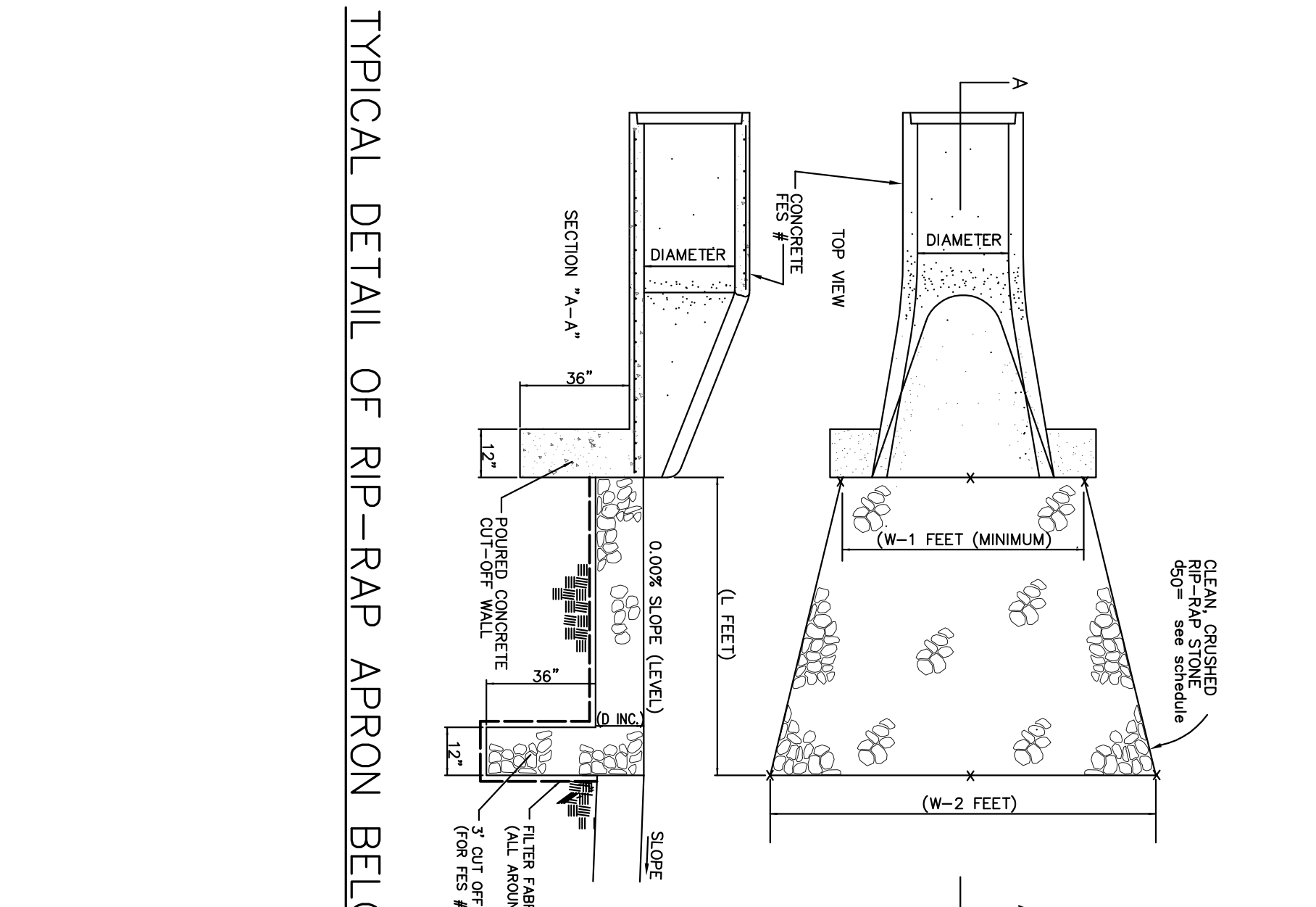
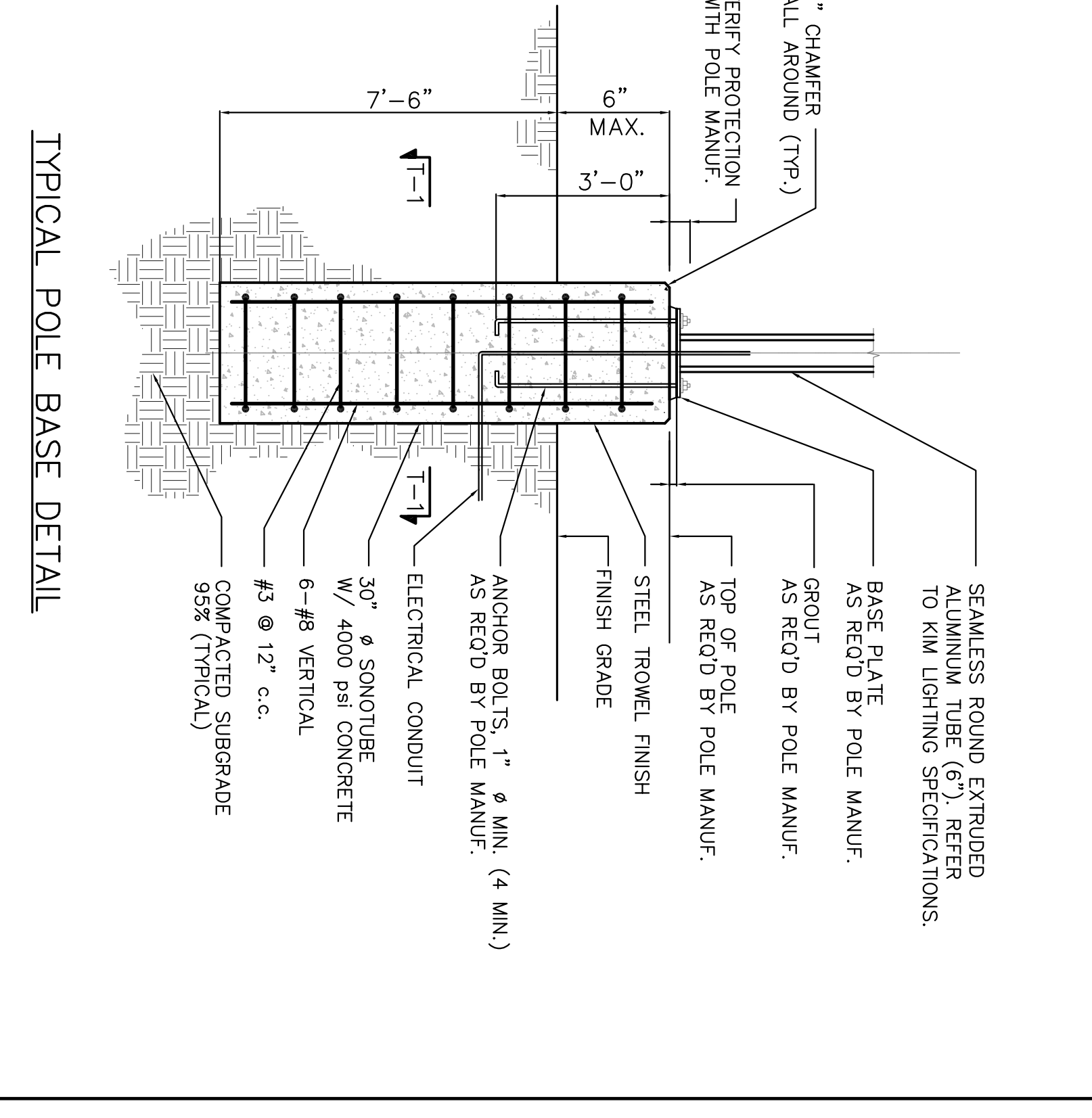
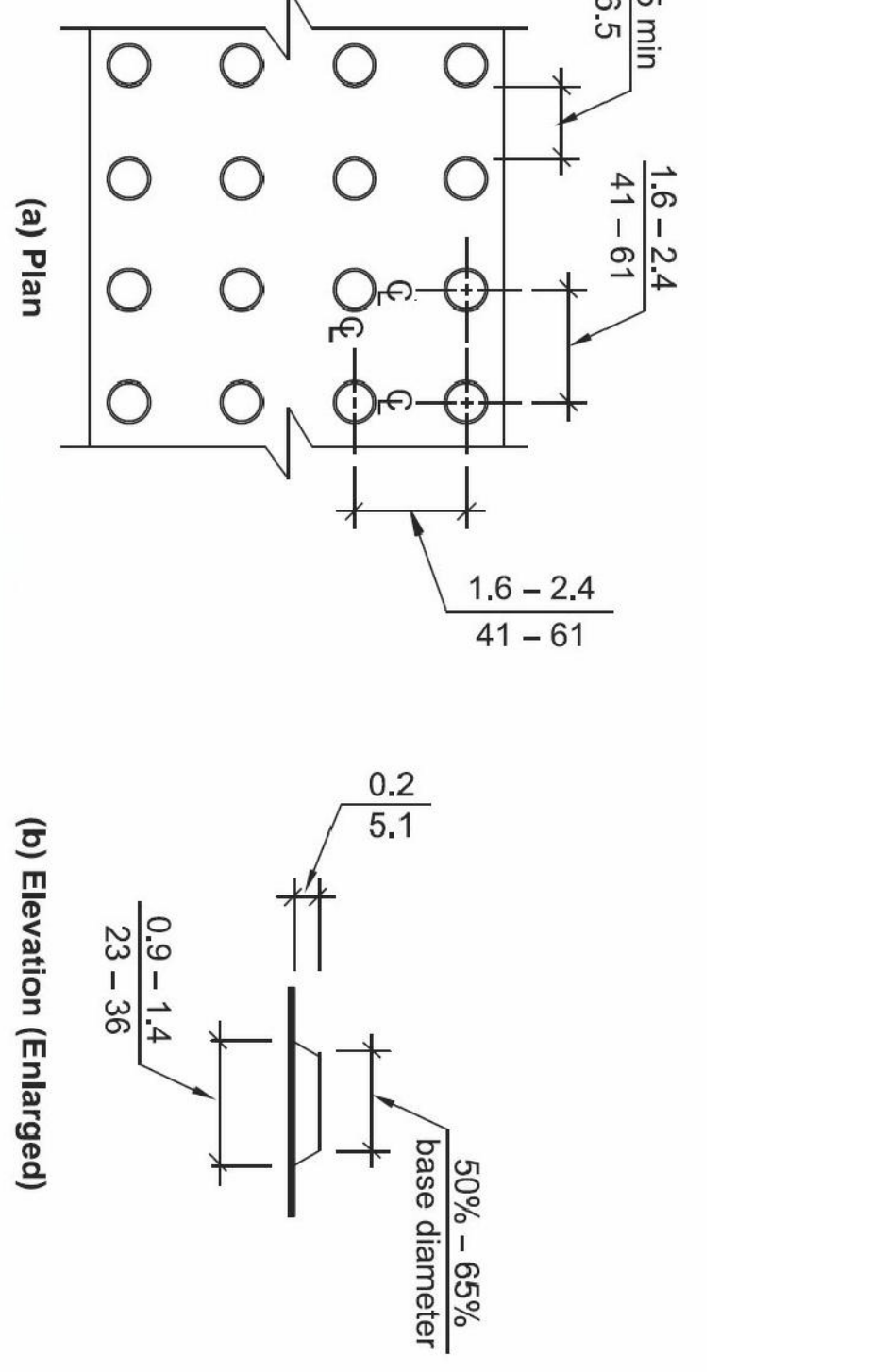
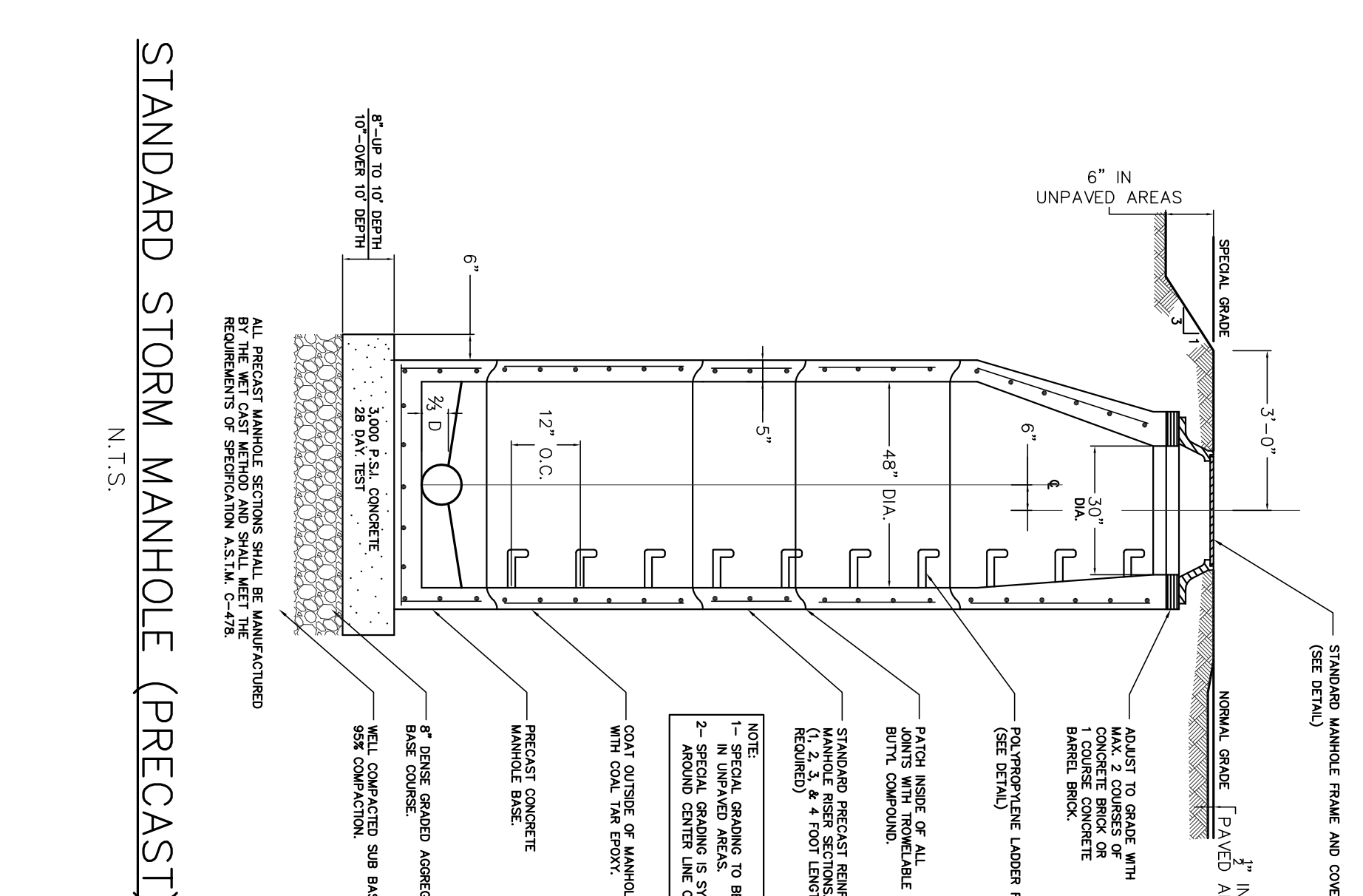
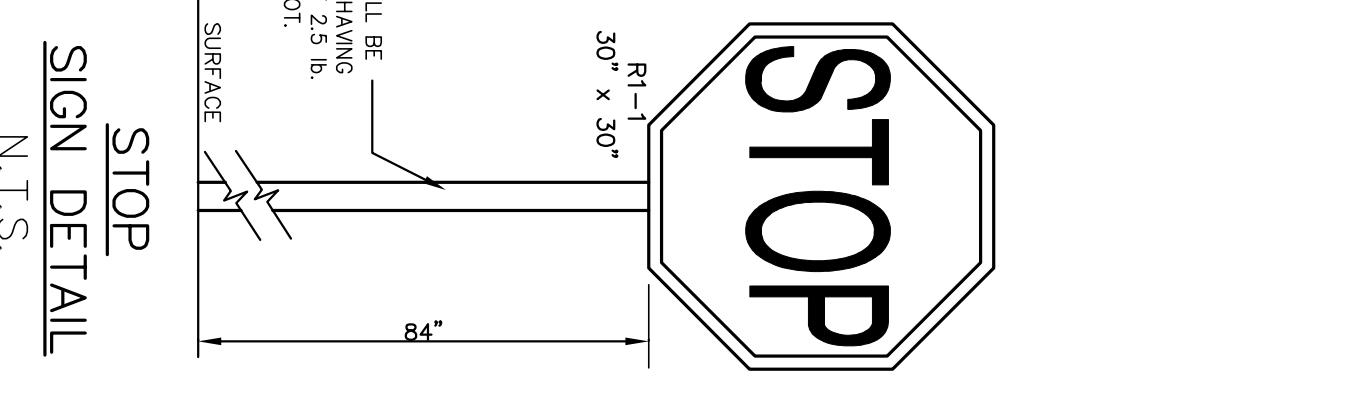


**GENERAL NOTES**

- ALL SIGNS AND PAVEMENT MARKING SHALL CONFORM TO MUTCD.
- CONSTRUCTION CASTINGS: NOTE THAT ALL CASTING SHALL BE OF U.S. MANUFACTURE AND NOT APPROVED. IF OTHER THAN CAPPELL, NEENAH, BRIDGESTATE, EMPORIA OR QUIRIN CASTING ARE PLANNED TO BE USED, COMPLETE DATA MUST BE SUBMITTED INCLUDING BUT NOT NECESSARILY LIMITED TO AN AFFIDAVIT CERTIFYING THAT THE CASTINGS WERE MADE IN THE U.S.; LOAD CAPACITY BASED ON THE STANDARD HIGHWAY LOADING; WEIGHTS AND CONFIGURATIONS OF THE CASTINGS AND METALLURGICAL ANALYSIS. ALL GRATES ARE TO BE "BICYCLE SAFE".
- ALL MATERIALS, WORKMANSHIP AND CONSTRUCTION FOR SITE IMPROVEMENTS SHOW HEREON SHALL BE IN ACCORDANCE WITH THE FOLLOWING, AS APPLICABLE:
  - NEW JERSEY DEPARTMENT OF TRANSPORTATION "STANDARD SPECIFICATIONS FOR ROAD AND BRIDGE CONSTRUCTION"
  - CURRENT PREVAILING MUNICIPAL AND/OR COUNTY SPECIFICATIONS, STANDARDS AND REQUIREMENTS
  - CURRENT PREVAILING UTILITY COMPANY/AUTHORITY SPECIFICATIONS, STANDARDS AND REQUIREMENTS
  - STATE OF NEW JERSEY B.O.C.A. CODE AND BARRIER-FREE DESIGN REGULATIONS AS CURRENTLY AMENDED
  - SUPPLY SYSTEMS/ANWVA STANDARDS, SPECIFICATIONS AND REQUIREMENTS FOR THE WATER SUPPLY SYSTEM
  - NFPA 13-99 & NFPA 24-95 FOR FIRE SPRINKLER LINES THAT APPLY FOR INSTALLATION & TESTING
  - ALL WATER MAINS SHALL HAVE MINIMUM OF 4'-6" COVER AT ALL TIMES.



FES #	INVERT	SIZE	W-1	W-2	L	d <sub>90</sub>	D
3	90.00'	30"	7.5'	15.0'	18.0'	4"	18" MIN
4	90.58'	18"	4.5'	14.0'	23.0'	6.5"	18" MIN
7*	90.46'	24"	6.0'	12.0'	16.0'	4"	18" MIN

\* EXISTING FES#4 & FES#7 TO REMAIN.

**CLIENT:**  
AURIBINDO CONSULTING ENGINEERS, INC.  
278 PRINCETON-HIGHTOWNS ROAD  
EAST WINDSOR, NJ 08620

**CLIENT:**  
MEH CONSULTING ENGINEERS, INC.  
CIVIL ENGINEERS - STRUCTURAL ENGINEERS  
ENVIRONMENTAL AND HYDRAULIC ENGINEERS  
688 BOONVILLE AVENUE SUITE 108  
VERONA, NEW JERSEY 07094  
PHONE: (973) 239-8888 FAX: (973) 239-8888

**PROJECT:** MOHAMED EL-HAWWAT, P.E.  
NEW ARBER PROFESSIONAL ENGINEER LICENSE NO. 34815

**PROPOSED:** 2,700 S.F. OFFICE/RENTAL USE BUILDING  
AURIBINDO PHARMA USA, INC.  
TOWNSHIP OF EAST WINDSOR, LOT 2, BLOCK 4  
MERCER COUNTY, NEW JERSEY

**DATE:** 08-03-18

**DATE:** 08-03-18

**SCALE:** N.T.S.

**DRAWN BY:** BHS/MLH

**CHECKED BY:** MLH

**Y-15**