

JOB AUROBINDO TYPE S3W [PHASE-1 (21) & PHASE-2 (16)]
 NOTES _____ APPROVALS _____

FEATURES

- PicoPrism® technology¹
- Family of six sizes
- Available in 580nm, 3000K, 4000K and 5000K standard CCT
- Type 1, 2, 3, 4, 5 standard distributions
- 0-10V dimming drivers standard
- IP66 certified

Certifications

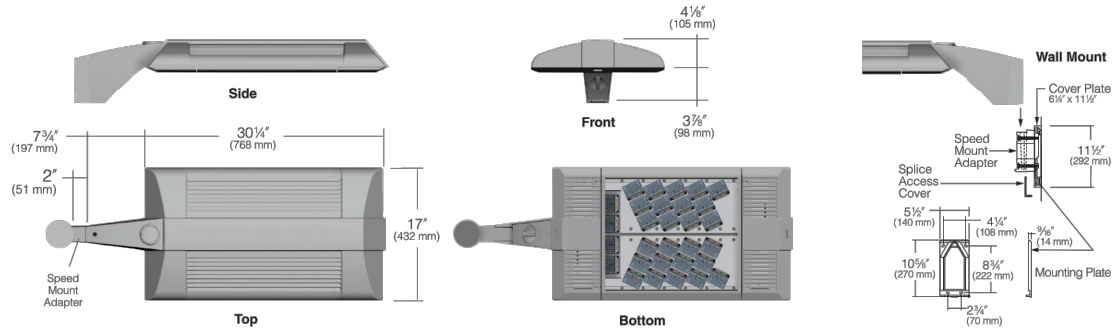


3000K and warmer CCTs only

SPECIFICATIONS



Approx. Weight = 34 lbs. EPA .72 for 1SA.
See Mounting for Additional EPAs.



ORDERING CODE

Configuration	EPA	Fixture	Electrical Module	Fixture Finish	Photocell Options
1SA	1 Arm Side Mt.	.72			
2SB	2 Arm Side Mt.	1.44			
2SL	2 Arm Side Mt.	1.05			
3ST	3 Arm Side Mt.	1.77			
3SY*	3 Arm Side Mt.	1.77			
4SC	4 Arm Side Mt.	1.93			
1W	Single Wall Mt.	n/a			
HSF	Horizontal Slipfitter	n/a			

Distribution	Drive Current	Source	Color Temperature ²	Voltages
ALT1 Type I	P35 350mA PicoPrism	120L 120 LEDs	2K 580nm ³	120 120V
ALT2 Type II	P70 700mA PicoPrism	135W for 350mA, 279W for 700mA	3K 3000K	208 208V
ALT3 Type III			4K 4000K	240 240V
ALT4 Type IV			5K 5000K	277 277V
ALT5 Type V				347 347V ⁴
ALTR Type R, Right				480 480V ⁴
ALTL Type L, Left				

Fuse Options	Lens Options	NFO Option	Control Options
SF 120, 277, 347 Line Volts	FGL Flat Glass Lens ⁵	NFO Neighbor Friendly Optic [*]	Wireless
DF 208, 240, 480 Line Volts	FPL Flat Polycarbonate Lens ^{5, 6}		WIR-RMI-IO 120-480V, 1000' range, WiScape RF mesh control system with off/on/dim, motion, photo, GPS location, alert, monitoring and metering capabilities.

Motion
SCL-R Round Pole Mounted Occupancy Sensor up to 16'
SCL-S Square Pole Mounted Occupancy Sensor up to 16'
SCH-R Round Pole Mounted Occupancy Sensor 16' to 30'
SCH-S Square Pole Mounted Occupancy Sensor 16' to 30'

* Available round poles only. EPA is for Fixture only

Fuse Options	Lens Options	NFO Option	Control Options
SF 120, 277, 347 Line Volts	FGL Flat Glass Lens ⁵	NFO Neighbor Friendly Optic [*]	Wireless
DF 208, 240, 480 Line Volts	FPL Flat Polycarbonate Lens ^{5, 6}		WIR-RMI-IO 120-480V, 1000' range, WiScape RF mesh control system with off/on/dim, motion, photo, GPS location, alert, monitoring and metering capabilities.

Motion
SCL-R Round Pole Mounted Occupancy Sensor up to 16'
SCL-S Square Pole Mounted Occupancy Sensor up to 16'
SCH-R Round Pole Mounted Occupancy Sensor 16' to 30'
SCH-S Square Pole Mounted Occupancy Sensor 16' to 30'

Mounting Options

VSF Vertical Slipfitter Mount for 2" pipe tenon, (2-3/8" O.D.)	Side Arm Mount
SVSF Vertical Slipfitter Mount square for 2" pipe tenon, (2-3/8" O.D.)	3-4RD 3.3" to 4.2" O.D. round pole
	4-6RD 4.5" to 6" O.D. round pole
	SQ Square Pole

For Pole Spec Select: http://www.kimlighting.com/products/arms_and_poles/
 For Control Spec Select: <http://trpssl.com/index.html>

¹ US Patent No. D674,965 S. Other patents pending.
² For custom optics and color temperature configurations, contact factory.
³ Turtle friendly. Maximum 500mA drive current for 2K amber option.
⁴ 347V & 480V currents may be supplied with step-down transformer.
⁵ 350mA only.
⁶ Use only when vandalism is anticipated to be high. Required only for vandal protection in locations where fixtures can be reached by unauthorized persons.

Kim Lighting reserves the right to change specifications without notice.