

JOB AUROBINDO TYPE S2W [PHASE-1 (3)]

NOTES _____ APPROVALS _____

FEATURES

- PicoPrism® technology¹
- Family of six sizes
- Available in 580nm, 3000K, 4000K and 5000K standard CCT
- Type 1, 2, 3, 4, 5 standard distributions
- 0-10V dimming drivers standard
- IP66 certified

Certifications

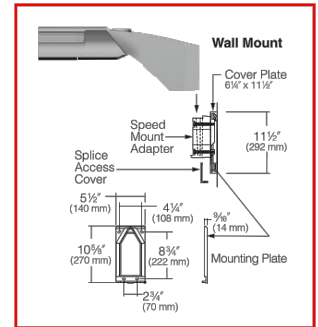
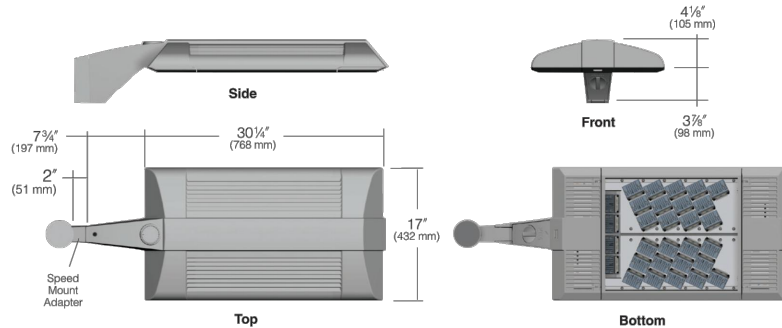


3000K and warmer CCTs only

SPECIFICATIONS



Approx. Weight = 34 lbs. EPA .72 for 1SA.
See Mounting for Additional EPAs.



ORDERING CODE

Configuration	EPA	Fixture	Electrical Module	Fixture Finish	Photocell Options
1SA	1 Arm Side Mt. .72	Distribution: ALT1 Type I	Source: 120L 120 LEDs	BL Black	A25-7 7-pin Photocell Receptacle
2SB	2 Arm Side Mt. 1.44	Drive Current: P35 350mA PicoPrism	Color Temperature ² : 2K 580nm ³	DB Dark Bronze	A30 120V Button Photocell
2SL	2 Arm Side Mt. 1.05	Drive Current: P70 700mA PicoPrism	Color Temperature ² : 3K 3000K	GT Graphite	A31 208V Button Photocell
3ST	3 Arm Side Mt. 1.77		Color Temperature ² : 4K 4000K	LG Light Gray	A32 240V Button Photocell
3SY*	3 Arm Side Mt. 1.77		Color Temperature ² : 5K 5000K	PS Platinum Silver	A33 277V Button Photocell
4SC	4 Arm Side Mt. 1.93			TT Titanium	A34 480V Button Photocell
1W	Single Wall Mt. n/a			WH White	A35 347V Button Photocell
HSF	Horizontal Slipfitter n/a			CC Custom Color*	

*Consult Representative

*Available round poles only. EPA is for Fixture only

Fuse Options	Lens Options	NFO Option	Control Options
SF 120, 277, 347 Line Volts	FGL Flat Glass Lens ⁵	NFO Neighbor Friendly Optic*	Wireless
DF 208, 240, 480 Line Volts	FPL Flat Polycarbonate Lens ^{5,6}	*Photometry available for Type III/IV. All others, consult factory.	WIR-RMI-IO 120-480V, 1000' range, WiScape RF mesh control system with off/on/dim, motion, photo, GPS location, alert, monitoring and metering capabilities.
			Motion
			SCL-R Round Pole Mounted Occupancy Sensor up to 16'
			SCL-S Square Pole Mounted Occupancy Sensor up to 16'
			SCH-R Round Pole Mounted Occupancy Sensor 16' to 30'
			SCH-S Square Pole Mounted Occupancy Sensor 16' to 30'

Mounting Options	
VSF Vertical Slipfitter Mount for 2" pipe tenon, (2-3/8" O.D.)	Side Arm Mount
SVSF Vertical Slipfitter Mount square for 2" pipe tenon, (2-3/8" O.D.)	3-4RD 3.3" to 4.2" O.D. round pole
	4-6RD 4.5" to 6" O.D. round pole
	SQ Square Pole

For Pole Spec Select: http://www.kimlighting.com/products/arms_and_poles/
For Control Spec Select: <http://trpssl.com/index.html>

¹ US Patent No. D674,965 S. Other patents pending.
² For custom optics and color temperature configurations, contact factory.
³ Turtle friendly. Maximum 500mA drive current for 2K amber option.
⁴ 347V & 480V currents may be supplied with step-down transformer.
⁵ 350mA only.
⁶ Use only when vandalism is anticipated to be high. Required only for vandal protection in locations where fixtures can be reached by unauthorized persons.

Kim Lighting reserves the right to change specifications without notice.