

JOB AUROBINDO TYPE S2 [PHASE-1 (27) & PHASE-2 (10)]
 NOTES _____ APPROVALS _____

FEATURES

- PicoPrism® technology¹
- Family of six sizes
- Available in 580nm, 3000K, 4000K and 5000K standard CCT
- Type 1, 2, 3, 4, 5 standard distributions
- 0-10V dimming drivers standard
- IP66 certified

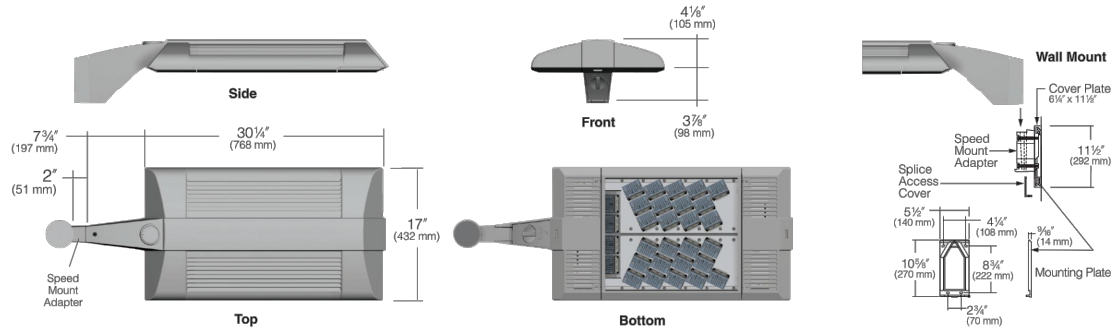
Certifications



SPECIFICATIONS



Approx. Weight = 34 lbs. EPA .72 for 1SA.
See Mounting for Additional EPAs.



ORDERING CODE

Configuration	EPA	Fixture	Electrical Module	Fixture Finish	Photocell Options			
1SA	1 Arm Side Mt. .72	Distribution: ALT1 Type I, ALT2 Type II, ALT3 Type III, ALT4 Type IV, ALT5 Type V, ALTR Type R, Right, ATLL Type L, Left	Drive Current: P35 350mA PicoPrism, P70 700mA PicoPrism	Source: 120L 120 LEDs (135W for 350mA, 279W for 700mA)	Color Temperature²: 2K 580nm³, 3K 3000K, 4K 4000K, 5K 5000K	Voltages: 120 120V, 208 208V, 240 240V, 277 277V, 347 347V⁴, 480 480V⁴	BL Black, DB Dark Bronze, GT Graphite, LG Light Gray, PS Platinum Silver, TT Titanium, WH White, CC Custom Color* *Consult Representative	A25-7 7-pin Photocell Receptacle, A30 120V Button Photocell, A31 208V Button Photocell, A32 240V Button Photocell, A33 277V Button Photocell, A34 480V Button Photocell, A35 347V Button Photocell
2SB	2 Arm Side Mt. 1.44							
2SL	2 Arm Side Mt. 1.05							
3ST	3 Arm Side Mt. 1.77							
3SY*	3 Arm Side Mt. 1.77							
4SC	4 Arm Side Mt. 1.93							
1W	Single Wall Mt. n/a							
HSF	Horizontal Slipfitter n/a							

*Available round poles only. EPA is for Fixture only

Fuse Options	Lens Options	NFO Option	Control Options
SF 120, 277, 347 Line Volts DF 208, 240, 480 Line Volts	FGL Flat Glass Lens⁵ FPL Flat Polycarbonate Lens⁵, ⁶	NFO Neighbor Friendly Optic* *Photometry available for Type III/IV. All others, consult factory.	Wireless WIR-RMI-IO 120-480V, 1000' range, WiScape RF mesh control system with off/on/dim, motion, photo, GPS location, alert, monitoring and metering capabilities. Motion SCL-R Round Pole Mounted Occupancy Sensor up to 16' SCL-S Square Pole Mounted Occupancy Sensor up to 16' SCH-R Round Pole Mounted Occupancy Sensor 16' to 30' SCH-S Square Pole Mounted Occupancy Sensor 16' to 30'

Mounting Options	
VSF Vertical Slipfitter Mount for 2" pipe tenon, (2-3/8" O.D.)	Side Arm Mount 3-4RD 3.3" to 4.2" O.D. round pole
SVSF Vertical Slipfitter Mount square for 2" pipe tenon, (2-3/8" O.D.)	4-6RD 4.5" to 6" O.D. round pole SQ Square Pole

For Pole Spec Select: http://www.kimlighting.com/products/arms_and_poles/
 For Control Spec Select: <http://trpssl.com/index.html>

¹ US Patent No. D674,965 S. Other patents pending.
 ² For custom optics and color temperature configurations, contact factory.
 ³ Turtle friendly. Maximum 500mA drive current for 2K amber option.
 ⁴ 347V & 480V currents may be supplied with step-down transformer.
 ⁵ 350mA only.
 ⁶ Use only when vandalism is anticipated to be high. Required only for vandal protection in locations where fixtures can be reached by unauthorized persons.

Kim Lighting reserves the right to change specifications without notice.