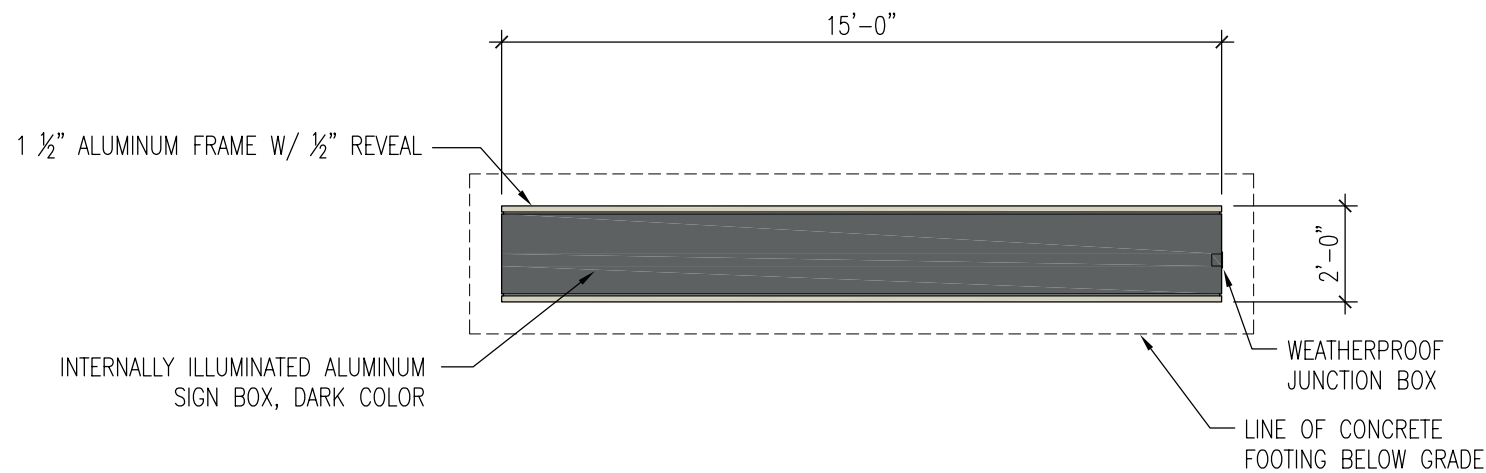
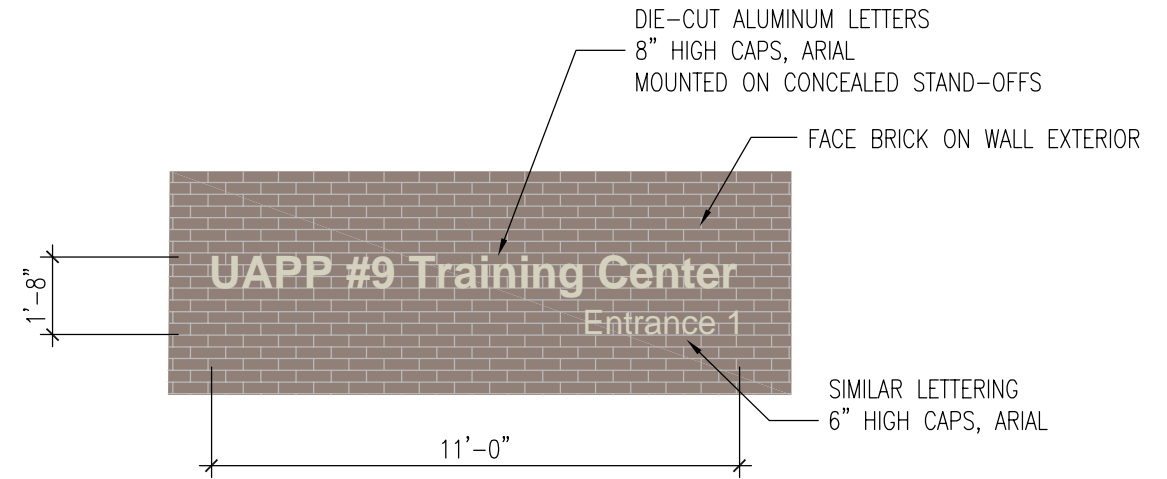
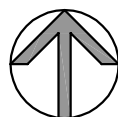


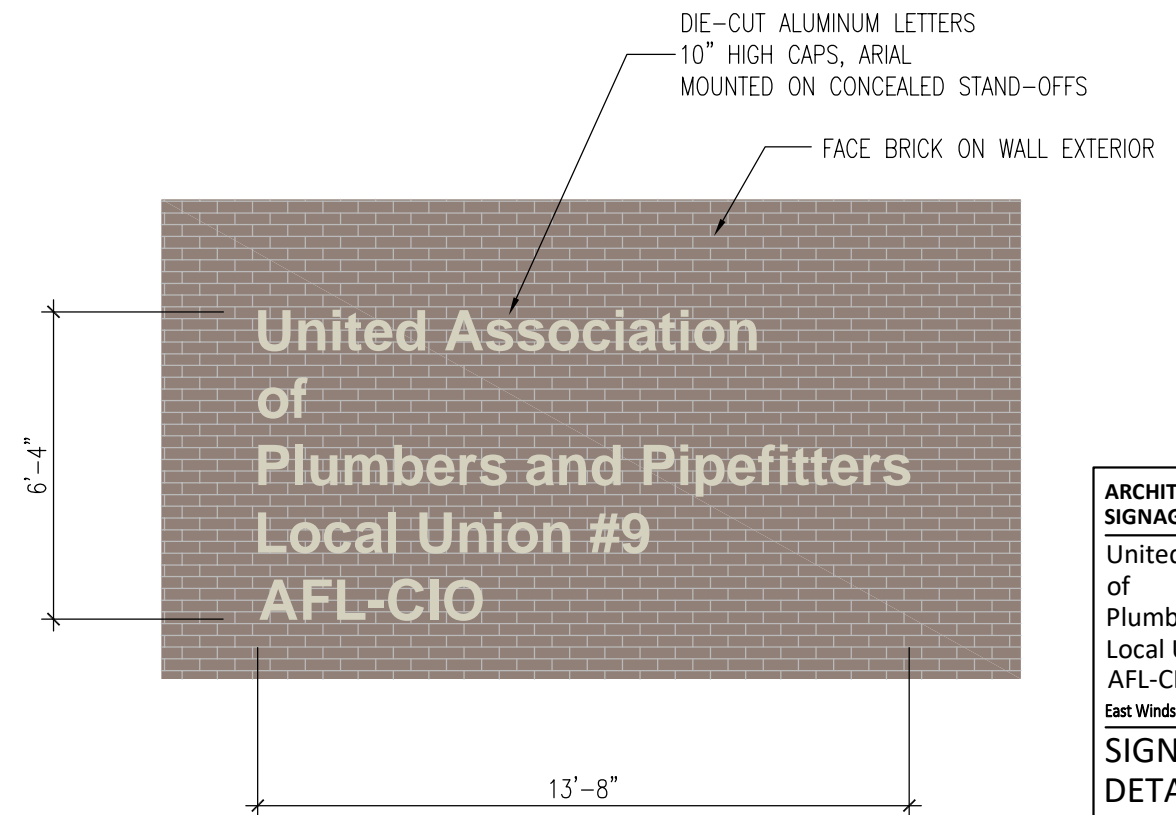
**4** PYLON SIGN ELEVATION  
SCALE: 1/4" = 1'- 0"



**3** PYLON SIGN PLAN  
SCALE: 1/4" = 1'- 0"



**2** BUILDING SIGN 2 ELEVATION  
SCALE: 1/4" = 1'- 0"



**1** BUILDING SIGN 1 ELEVATION  
SCALE: 1/4" = 1'- 0"

<b>ARCHITECTURAL SIGNAGE SUBMISSION</b>
United Association of Plumbers & Pipefitters Local Union #9 AFL-CIO East Windsor Township, New Jersey
<b>SIGNAGE DETAILS</b>
SCALE: 1/4" = 1'- 0" PROJ NO: 20-30100

The Vaughn Collaborative  
ARCHITECTURE • PLANNING • INTERIOR DESIGN

AS-4

DATE: 08-26-2022