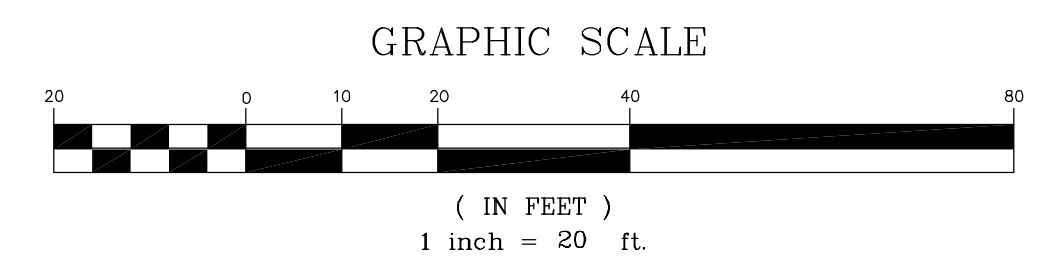


Rear-Load Garbage Truck	
Overall Length	35.000ft
Overall Width	8.375ft
Overall Body Height	10.546ft
Min Body Ground Clearance	1.000ft
Track Width	8.375ft
Lock-to-lock time	6.00s
Curb to Curb Turning Radius	29.300ft



NorthStarDesign LLC
 CIVIL & CONSULTING ENGINEERS

PHONE: 908-968-3499 FAX: 908-968-3291
 35 ROUTE 31, BLDG. 5, SUITE 1404
 WWW.NORTHSTARDESIGNLLC.COM
 NJ CERTIFICATE OF AUTHORIZATION No. 246289990

REV.	DATE	REVISION COMMENT	BY:

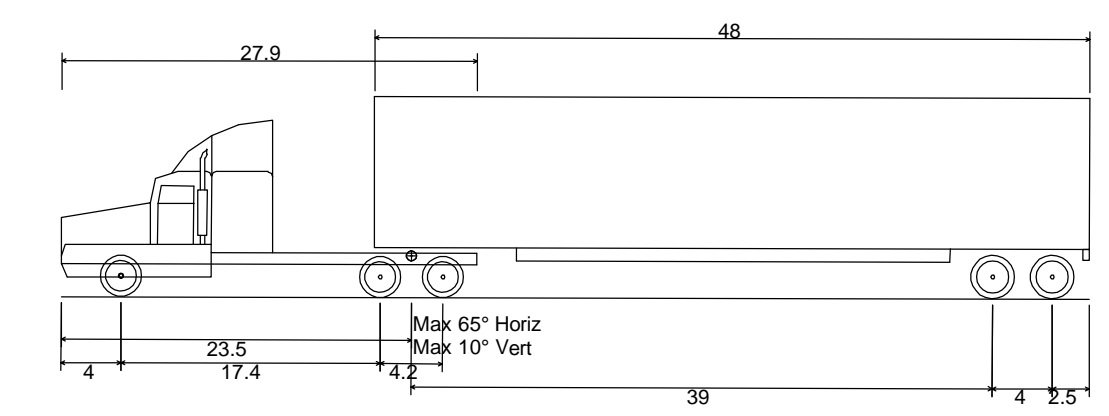
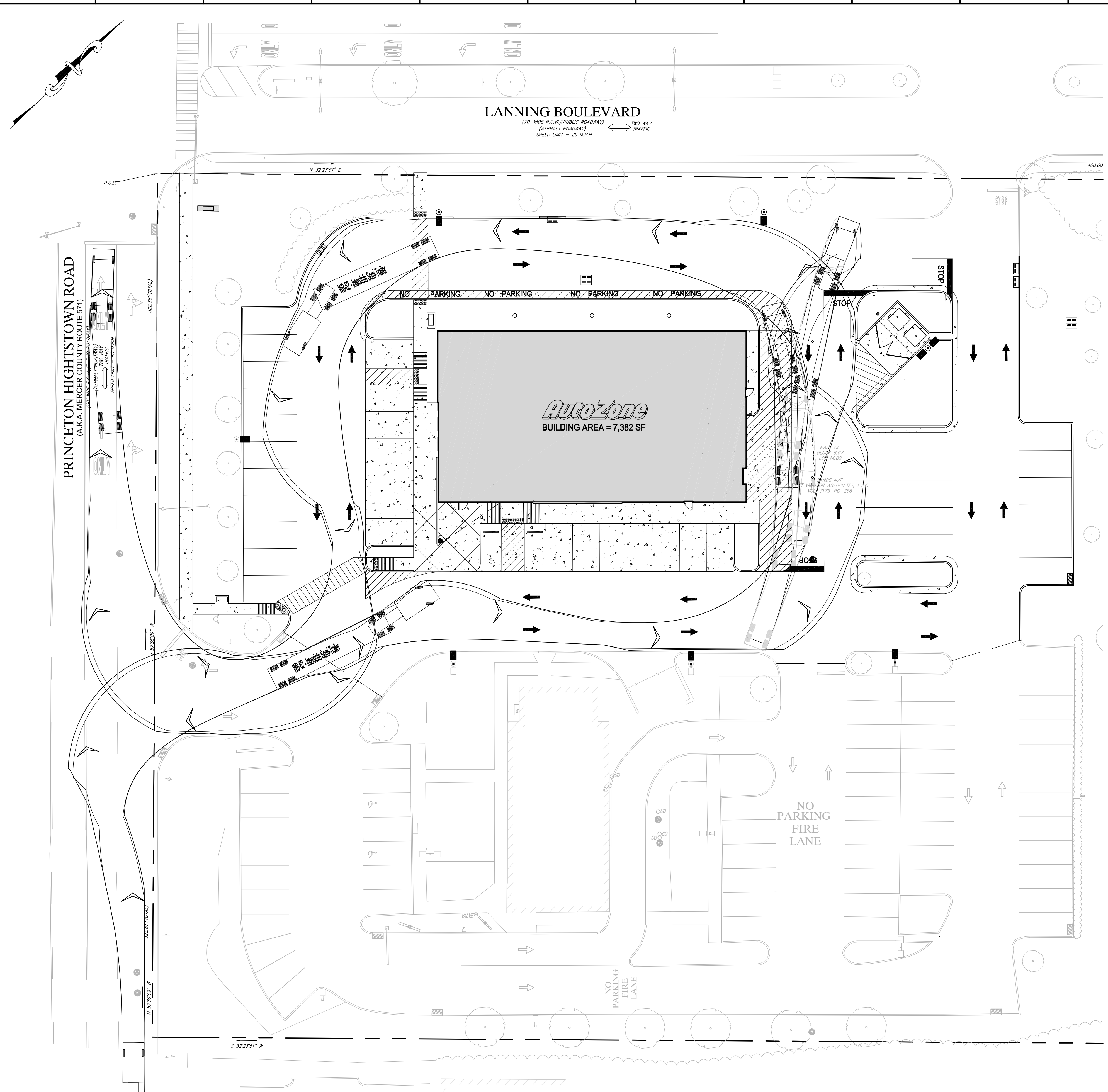
**PRELIMINARY AND FINAL
 SITE PLAN
 AUTOZONE (STORE #3644)
 BLOCK 6.07, LOT 14.02 TAX MAP SHEET #9
 40-50 PRINCETON-HIGHTSTOWN ROAD
 TOWNSHIP OF EAST WINDSOR
 MERCER COUNTY, NEW JERSEY**

T. F. PUGSLEY, Jr.
 PROFESSIONAL ENGINEER
 NJ LICENSE No. 43527

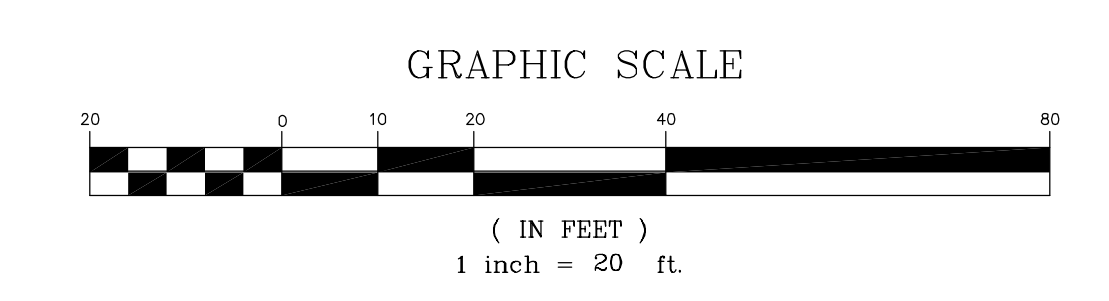
SHEET TITLE:
GARBAGE TRUCK EXHIBIT

SHEET NO.:
1 OF 1

DESIGN DATE:	2/15/23
DESIGNED BY:	NH
CHECKED BY:	TFP
DRAWING SCALE:	As Shown
PROJECT #:	21-020
CAD FILE:	21-020TT00
ZONING DISTRICT:	H-C ZONE
REVISION 0	2/15/23



WB-62 - Interstate Semi-Trailer
 Overall Length 69.00ft
 Overall Width 8.50ft
 Overall Body Height 13.50ft
 Min Body Ground Clearance 1.334ft
 Max Track Width 8.500ft
 Lock-to-lock time 6.00s
 Max Steering Angle (Virtual) 28.40°



NorthStarDesign LLC
 CIVIL & CONSULTING ENGINEERS
 PHONE: 908-968-3499 FAX: 908-968-3291
 35 ROUTE 31, BLDG. E, SUITE 1404
 WWW.NORTHSTARDESIGNLLC.COM
 NJ CERTIFICATE OF AUTHORIZATION No. 2462899990

REV.	DATE	REVISION COMMENT	BY:

**PRELIMINARY AND FINAL
 SITE PLAN**
AUTOZONE (STORE #3644)
 BLOCK 6.07, LOT 14.02 TAX MAP SHEET #9
 40-50 PRINCETON-HIGHTSTOWN ROAD
 TOWNSHIP OF EAST WINDSOR
 MERCER COUNTY, NEW JERSEY

T. F. PUGSLEY, Jr.
 PROFESSIONAL ENGINEER
 NJ LICENSE No. 43527

SHEET TITLE:
DELIVERY TRUCK EXHIBIT
 SHEET NO.:
1 OF 1
 DESIGN DATE: 2/15/23
 DESIGNED BY: NJH
 CHECKED BY: TFP
 DRAWING SCALE: As Shown
 PROJECT #: 21-020
 CAD FILE: 21-020TTO0
 ZONING DISTRICT: H-C ZONE
 REVISION 0 2/15/23

